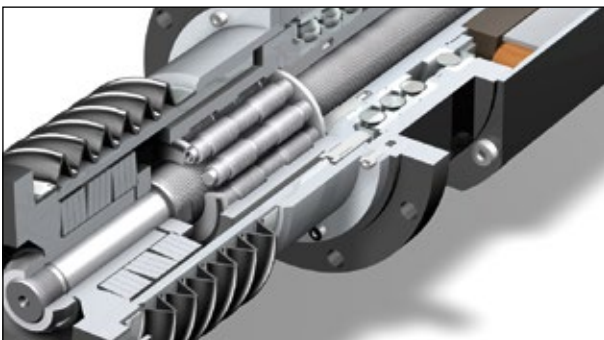


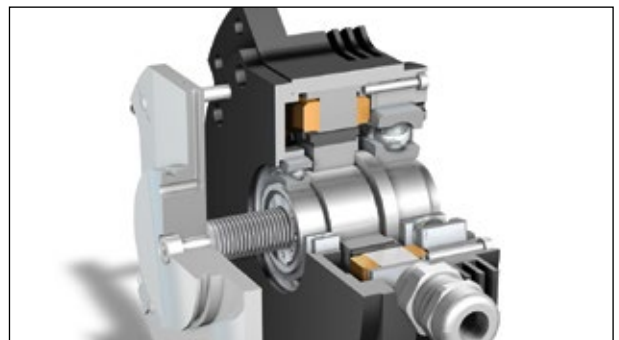
Precise and robust due to few components

The number of components in a PWG planetary roller screw is astonishingly low. Which makes the demand for production quality even higher. The two factors “few components” and “high precision” give high reliability and extreme robustness even with small leads.

Important: The ASCA servo screw operates without roller resetting, making it much quieter.



ASCA servo screw in customer design version with standard motor



ASCA servo screw in customer design version with non-standard motor