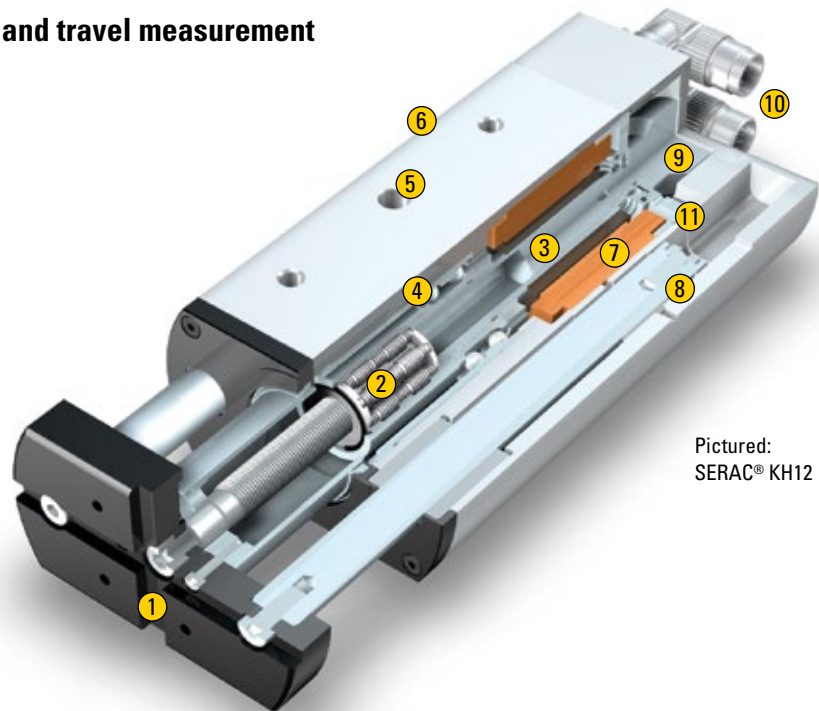
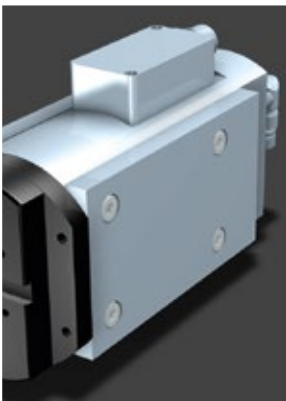


**SERAC® KH5 / KH12 / KH30**  
with integrated anti-rotation device and travel measurement



Pictured:  
SERAC® KH12

**Flexible in use and equipment**



Optional liquid cooling with adaptable cooling plates to increase the continuous rating



Mounting option on either side offers universality and very easy installation



The housing cover (A side) is available with optional flange version for front mounting

- 1 Grooves for exact tool positioning; asymmetrical hole pattern to ensure tool is mounted in the correct position
- 2 ASCA servo screw
- 3 Motor shaft and screw nut in one piece
- 4 High-quality bearing for very high rigidity and service life
- 5 Holes for locating pins for exact positioning and force transmission
- 6 Direct travel measurement for maximum positioning accuracy under load
- 7 Torque motor with low cogging torque
- 8 Integrated stable anti-rotation device
- 9 Motor encoder (resolver or Hiperface)
- 10 Electrical connections (power and encoder connectors)
- 11 Optional inclusive integrated holding brake