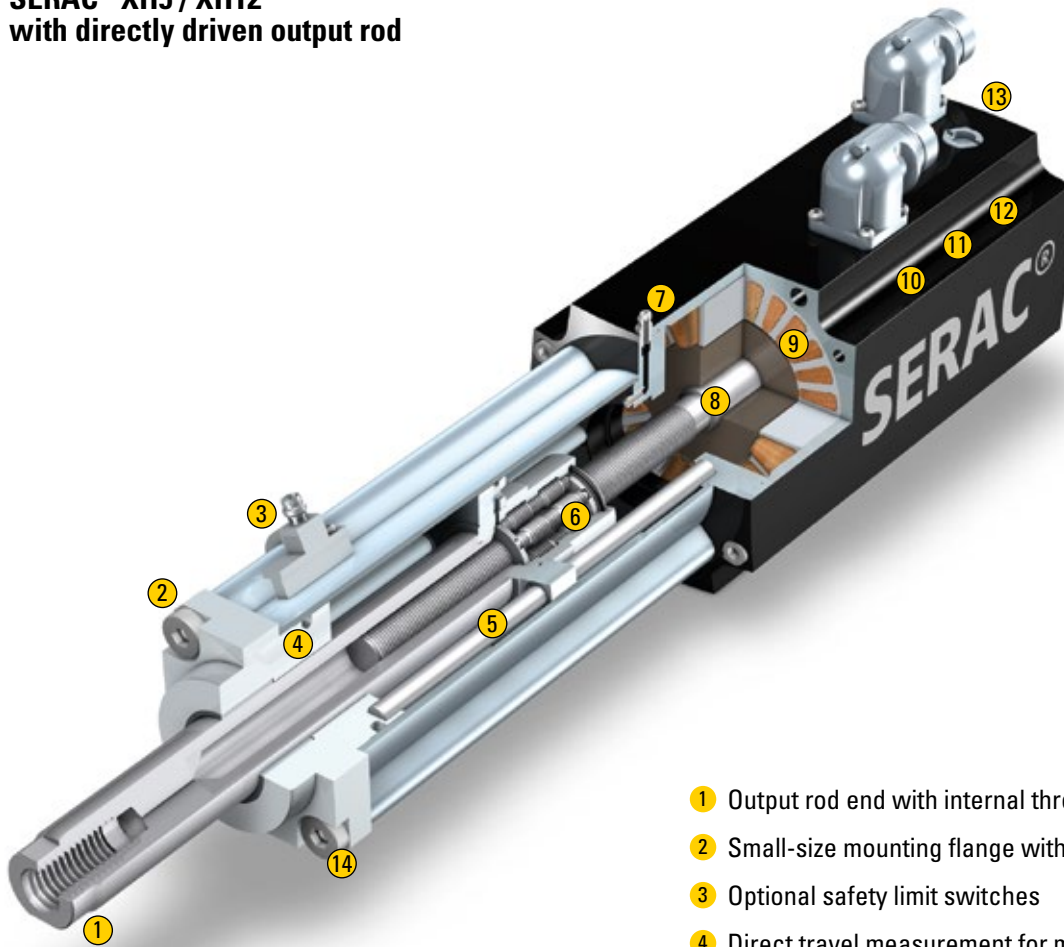


SERAC® XH5 / XH12
with directly driven output rod



Pictured:
SERAC® XH12

- 1 Output rod end with internal thread (M16 x 32 mm)
- 2 Small-size mounting flange with internal threads
- 3 Optional safety limit switches
- 4 Direct travel measurement for maximum positioning accuracy under load
- 5 Integrated stable anti-rotation device
- 6 ASCA servo screw
- 7 Lubricating nipple for screw drive
- 8 Motor shaft and screw in one piece
- 9 Torque motor with low cogging torque
- 10 Integrated high-quality bearing
- 11 Optional inclusive integrated holding brake
- 12 Motor encoder (resolver or sin/cos 1 Vss)
- 13 Electrical connections (power and encoder connectors)
- 14 M6 internal thread for flange mounting

