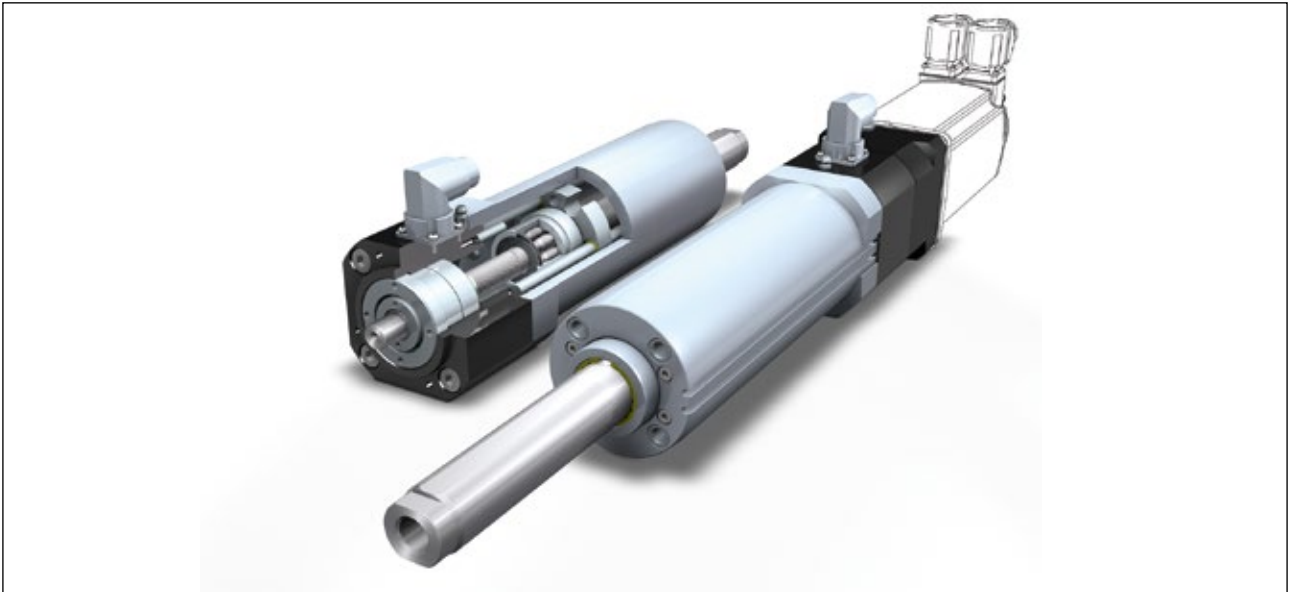


Ready-to-attach, high-rigidity screw unit



SERAC® XHM – screw unit with integrated guide and travel measurement

The system technology of this screw unit, which comes with an integrated guide, is the same as for the SERAC® XH electric cylinder. The adapter flange was designed to fit most common makes of servo motors.

Very high forces can be achieved with relatively small motors starting from a screw lead of 1 mm.

Short profile:

- Forces up to 12 kN
- Screw leads 1 mm and higher
- High rigidity
- Integrated direct travel measurement
- Zero backlash
- Smooth running
- High load capacity also with small screw leads (e.g. 1 mm)
- Long life
- Maintenance-free or low maintenance
- Torsion-resistant servo clutch

Motormontage

